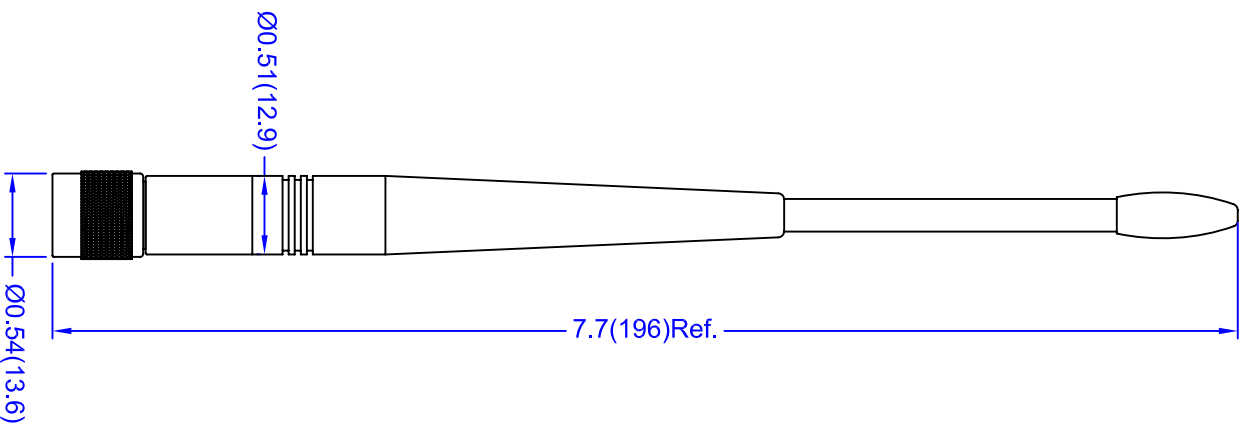


SMA type connector



TNC type connector

Electrical Properties:

Frequency Range: 902-928 MHz
 Impedance: 50Ω nominal
 VSWR: <2.0:1
 Gain: 2.0 dBi
 Radiation: Omni
 Polarization: Vertical
 Wave: Half Wave Dipole

Mechanical Properties:

Material: Polyurethane(Black)
 Whip: Brass with black chrome plating
 Connector: black chrome plating
 Operation Temp.: -20°C to +65°C
 Storage Temp.: -30°C to +75°C

This is a RoHS compliant product.





TITLE	900 MHz ISM Band Straight Antenna - 467 model		Rev. Date	02/09/06	SHEET	1 of 2
UNIT	DWG. NO.	S467XX - 915				
in.(mm)						
SCALE						
none						

NEARSON

Series Part Numbers

Connector Code -XX-	Description	P / N
AM	SMA Plug	S467AM-915
AH	SMA Plug Reverse Polarity	S467AH-915
TC	TNC Plug	S467TC-915
TR	TNC Plug Reverse Polarity	S467TR-915

Connector Interface

 SMA Plug (AM)	 TNC Plug (TC)
 SMA Plug Reverse Polarity (AH)	 TNC Plug Reverse Polarity (TR)

TITLE	900 MHz ISM Band Straight Antenna - 467 model	Rev. Date	SHEET
UNIT	DWG. NO.	02/09/06	2 of 2
In. (mm)	S467XX - 915		
SCALE			
none			

NEARSON